

## SECTION 5

# LIGHT STREAM™

A complete line up of L.E.D. illuminated water features bring you brilliant lighting solutions with endless possibilities. Available in "Xenon" white.

**Coming May 2007!**

Single switch controllable - full color changing synchronized  
Light Stream line up.

Slight price increase, available May 2007.



# Fiberstars 2007 Product Book

## LIGHT STREAM™

by Fiberstars

**A complete line up of L.E.D. illuminated water features  
that bring you brilliant lighting solutions with endless possibilities.**

Light Stream is a totally new and innovative product line of L.E.D. lit water features. These water features offer a unique way to light water features using L.E.D. technology. Light Stream products are self-contained and include an internal light source. Available in a "Xenon" white light, you can now install water features individually or in combinations, wherever you want. Why have unlit water features, when you can afford to have Light Stream? **Light Stream can make the difference!**

Innovative water feature items include Light Stream Large Laminars (p.41), Light Stream Mini Lighted Fountain (p.42), Light Stream Rain Waterfall (p.43), Light Stream Rock Waterfall (p.44), Light Stream Star Floor Kit (p.45) and Light Stream Lighted Bubbler Kit (p.46). These water features can be used for a variety of pool applications and will add charm to your backyard. Let Light Stream™ enhance your lighting choices!

**FEATURES: Brilliant "Xenon" white light**

**Available in stand alone, complete units with  
an internal L.E.D. light source.**

Transformer required (12V to 24V).

**Only 12 VAC power source required**

Fiberstar transformer for WPC units and Light Stream "WPC-TRANS" see page 23

**25,000+ hour lamp life**

**Completely self-contained**

**ALL LIGHT STREAM PRODUCTS ARE ETL LISTED FOR INSTALLATION  
WITHIN 5' OF WATER'S EDGE!**

**NEW!**

## LIGHT STREAM™ LARGE LAMINAR -



A single large Laminar with internal L.E.D. lighting, that is completely self contained.

Lend a dramatic splash to a backyard with Light Stream Large Laminars. These glasslike rods of water can be used individually or in multiples for a dramatic effect. Each Light Stream Large Laminar comes with a Deck Box, and an L.E.D. light driver, which includes 100' of 12V wire.

Light Stream™ Large Laminar

These Large Laminars are designed for water flows up to 6' up and 6' out. Now available in a brilliant "Xenon" white!



Deck Box

### DIMENSIONS OF DECK BOX: 15 1/4" H x 13 1/2" W

Note: Light Stream Large Laminars are more dramatic when the laminars are placed with the water flow aimed towards the main viewing area.

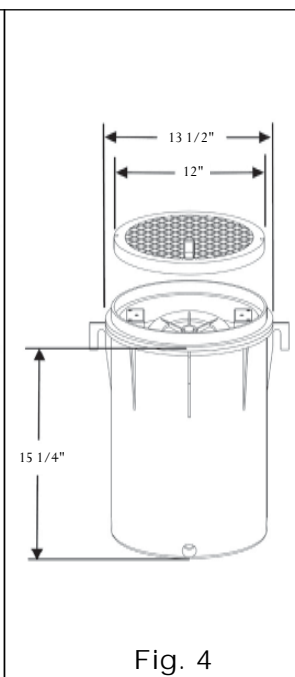
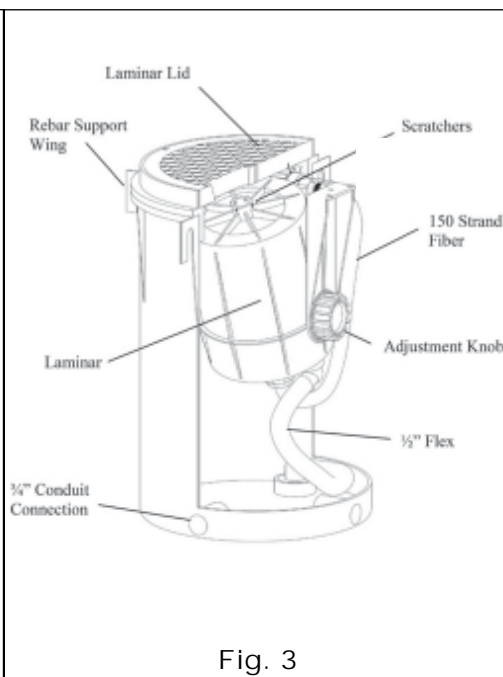
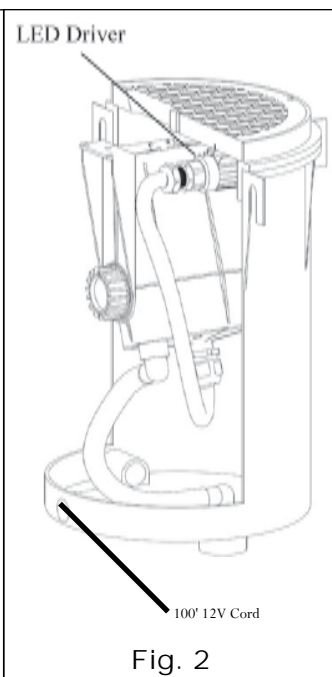
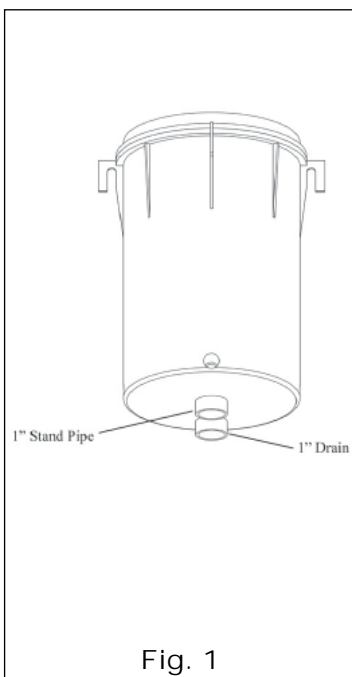
**\*For installation manual, visit our website at [www.fiberstars.com](http://www.fiberstars.com)**

**Maximum flow rate is 10 GPM.**

Compatible with Fiberstars' WPC controls. (See pages 14-24)



Part #	Description	List \$
LSSL	Light Stream Large Laminar - Includes Deck Box and L.E.D. Light Driver	\$638.41





# Fiberstars 2007 Product Book

NEW!

## LIGHT STREAM™ MINI LIGHTED FOUNTAIN -



A single mini fountain with internal L.E.D. lighting, that is completely self contained.

Light Stream Mini Fountains add a distinct element of elegance to any pool. These brilliant white light fountains are an excellent accessory to add a sparkle to your backyard. Each Light Stream Mini Lighted Fountain comes with a Deck Box and an L.E.D. light driver, which includes 100' of 12V wire and color chips.

Light Stream™ Mini Lighted Fountain

These Mini Fountains are designed for water flows up to 3' up and 3' out. Now available in a brilliant "Xenon" white.



Mini Deck Box

### DIMENSIONS OF DECK BOX: 13" H x 10" W

Note: Light Stream Mini Lighted Fountains are more dramatic when the fountains are placed with the water flow aimed towards the main viewing area.

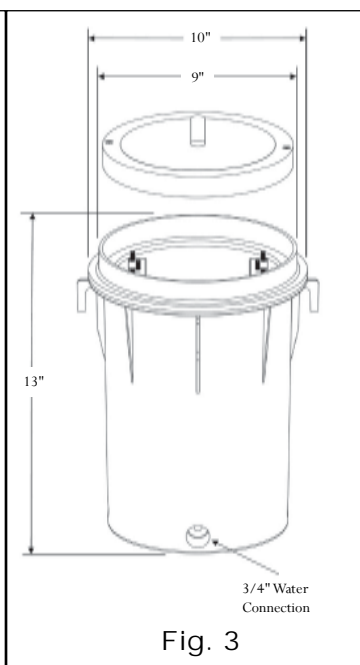
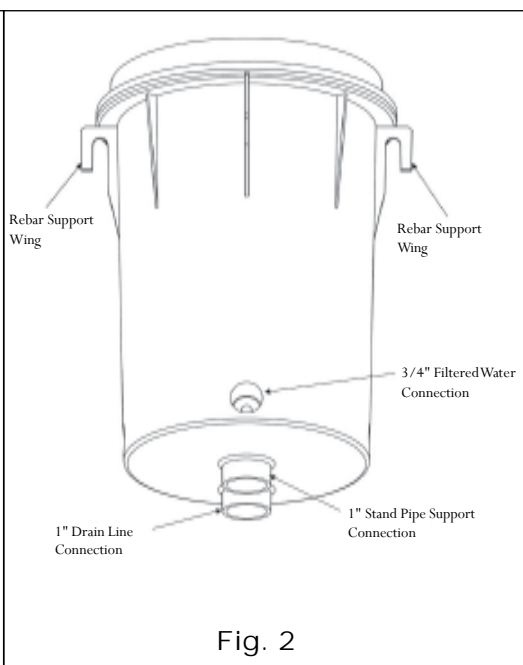
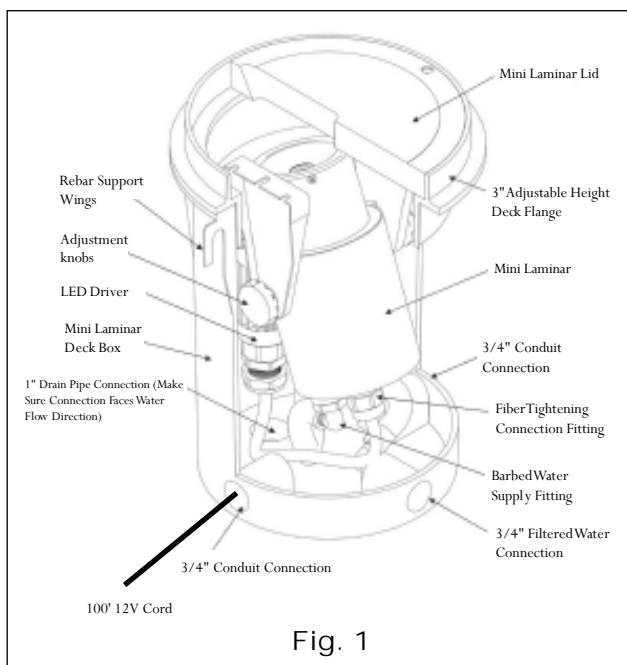
**\*For installation manual, visit our website at [www.fiberstars.com](http://www.fiberstars.com)**

**Minimum flow rate is 5 GPM.**

Compatible with Fiberstars' WPC controls. (See pages 14-24)



Part #	Description	List \$
LSML	Light Stream Mini Fountain - Includes Deck Box and L.E.D. Light Driver	\$505.07



**NEW!**



Light Stream™  
Lighted Rain  
Waterfall

## LIGHT STREAM™ LIGHTED RAIN WATERFALLS - Straights only!

These stunning lighted Rain Water Falls come complete with a Light Stream L.E.D. light driver, which includes 100' of 12V wire.

Light Stream Lighted Rain Waterfall is a stunning water feature that enhances the beauty of any backyard. Lit water cascades create a harmonious blend of pleasant sounds and a beautifully lit backyard.

Light Stream Lighted Rain Waterfall is available in three different sizes: 24", 36" and 48".

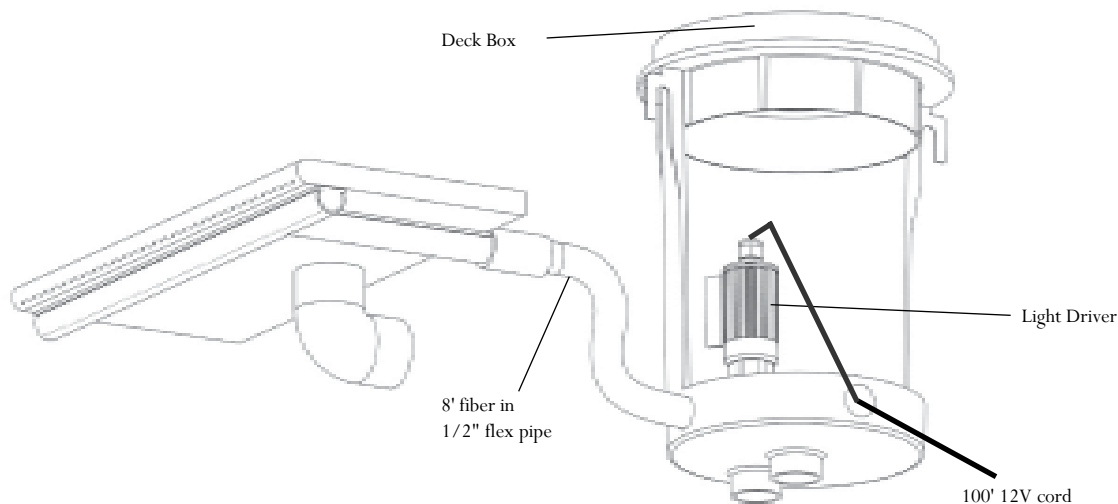
To install, simply mount the Light Stream Lighted Rain Waterfall in your raised bond beam, situate the deck box in the softscape behind the deck (or in the deck if you choose), supply water and 12VAC and you have streaming lighted water. Use as many as you want, no matter how far apart they are and achieve a multiple waterfall effect.

**\*For installation manual, visit our website at [www.fiberstars.com](http://www.fiberstars.com)**

Compatible with Fiberstars' WPC controls. (See pages 14-24)



Part #	Description	List \$
<b>Light Stream Lighted Rain Waterfall - Complete with Fiber and L.E.D. lights - STRAIGHTS ONLY!</b>		
LSRW24-8	24" Light Stream Lighted Rain Waterfall with an 8' run of fiber	\$659.47
LSRW36-8	36" Light Stream Lighted Rain Waterfall with an 8' run of fiber	\$835.91
LSRW48-8	48" Light Stream Lighted Rain Waterfall with an 8' run of fiber	\$1012.36





# Fiberstars 2007 Product Book

NEW!



Light Stream™  
Rock Waterfall Kit

## LIGHT STREAM™ ROCK WATERFALL KIT

The simplest, easiest way of lighting a rock water fall, these kits have L.E.D. lighting and are self-contained.

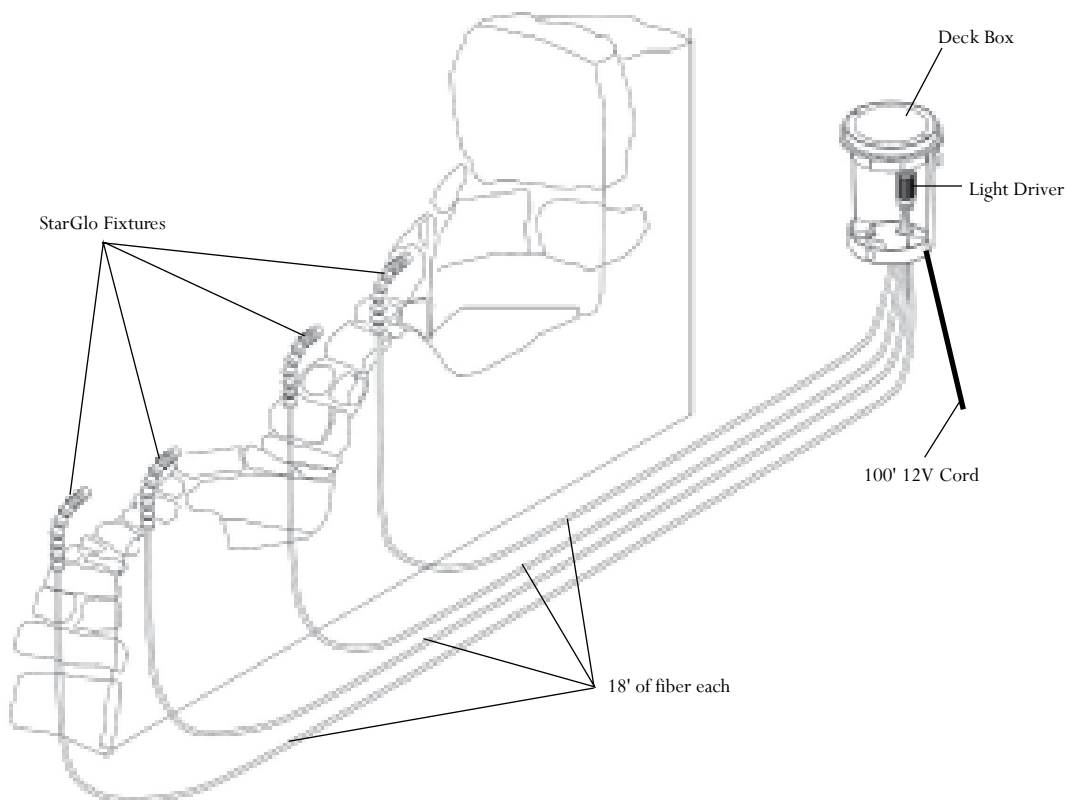
Light Stream Rock Waterfall kit is a simple and easy way of lighting a rock waterfall. Each kit comes with 4 Fiberstars' StarGlo fixtures, which have 18' of 50 strand fiber, a Light Stream L.E.D. light driver, 100' of 12V wire and a deck box. Each StarGlo fixture is adjustable for an optimum lighting effect, creating an aesthetically pleasing environment. Simply install the StarGlo fixtures in the desired locations, mount the deck box and run 12 VAC power to the L.E.D light driver. Use alone or in combination with another kit.

**\*For installation manual, visit our website at [www.fiberstars.com](http://www.fiberstars.com)**

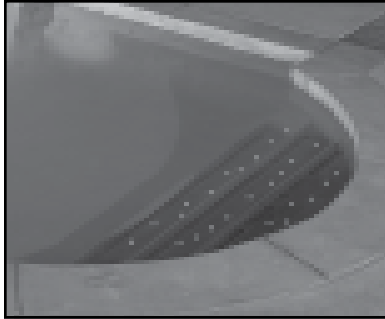
Compatible with Fiberstars' WPC controls. (See pages 14-24)



Part #	Description	List \$
LSLR-4	Light Stream Rock Waterfall Kit. Comes with 4 StarGlo fixtures, each with 18' of 50 strand fiber.	\$659.47

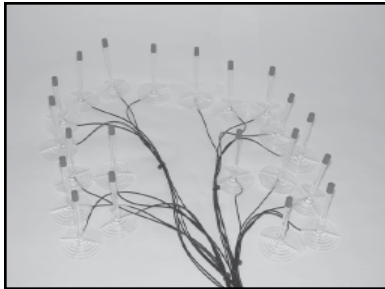


NEW!



## LIGHT STREAM™ STAR FLOOR KIT

These lights are the simplest, easiest way of putting the evening stars in the bottom of your next pool.



Light Stream™  
Star Floor Kit

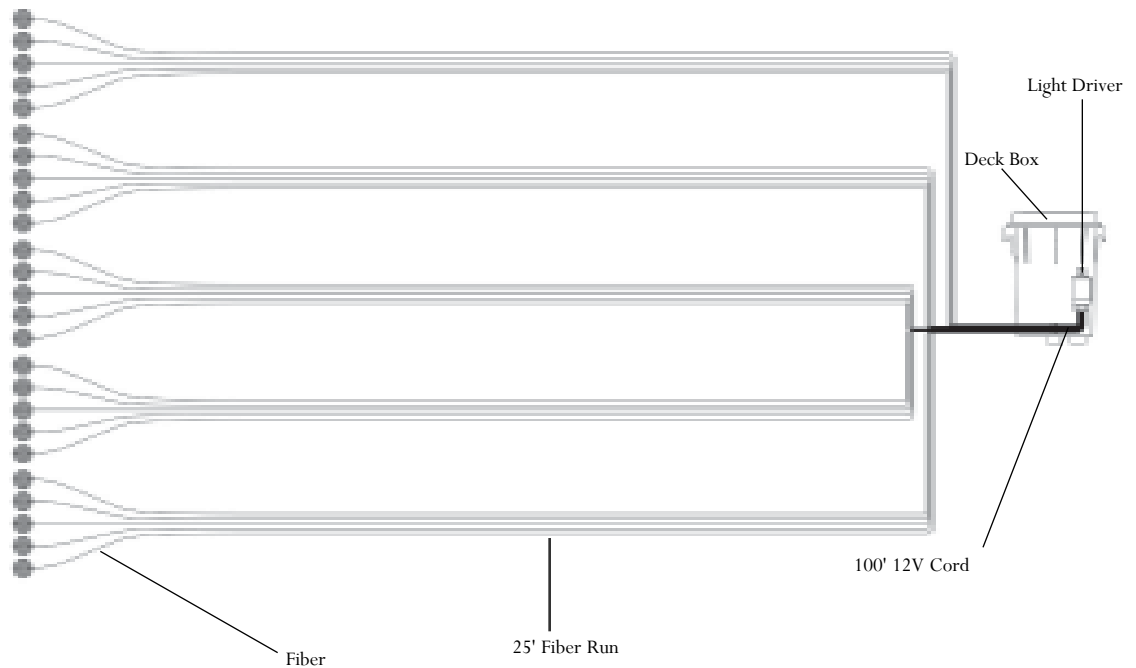
Light Stream Star Floor Kits are the perfect way to add a twinkle to the bottom of your pool. Each Star Floor Kit comes with either 10 points of light or 25 points of light that have 2 strands of fiber each. The kits also include a Light Stream L.E.D. light driver, 100' of 12V wire and a deck box.

**\*For installation manual, visit our website at [www.fiberstars.com](http://www.fiberstars.com)**

Compatible with Fiberstars' WPC controls. (See pages 14-24)



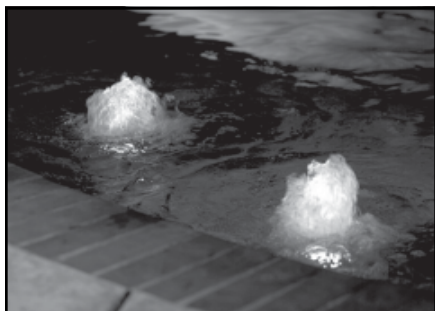
Part #	Description	List \$
LSSFK-10	Light Stream Star Floor Kit with 10 points of light, 2 strands of fiber at each point	\$644.03
LSSFK-25	Light Stream Star Floor Kit with 25 points of light, 2 strands of fiber at each point	\$972.66





# Fiberstars 2007 Product Book

NEW!



Light Stream™  
Lighted Bubbler Kit

## LIGHT STREAM™ LIGHTED BUBBLER KIT

An easy, fun and unique way to light a sun shelf, swim-out or beach entry using L.E.D. technology.

Light Stream Lighted Bubbler Kit is a unique way to light a sun shelf, swim-out or beach entry. It will enhance the beauty of your pool with a splash of color. Simply install both bubblers into the gunite surface and locate the Light Streams L.E.D. deck box in the deck or softscape. Supply the water and 12 VAC to complete the job.

Each kit comes with 2 lighted bubblers, an L.E.D. Light Driver, 100' of 12V wire and a Deck Box. These bubblers can also be used in small fountain areas where lighted bubbling water is desired because they have very simple water flow requirements.

**\*For installation manual, visit our website at [www.fiberstars.com](http://www.fiberstars.com)**

Compatible with Fiberstars' WPC controls. (See pages 14-24)



Part #	Description	List \$
2LSLBK	Light Stream (2) Lighted Bubblers, each with 25' of fiber pre-attached. -Includes L.E.D. Light Driver and Deck Box.	\$650.64

