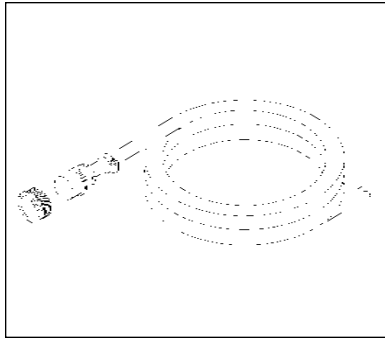


SECTION 7

**POOL &
PERIMETER
FIBER**



Fiberstars 2007 Product Book



Pool/Spa Supplemental Light Kits

FIBER OPTIC KITS FOR UNDERWATER LIGHTING

SPECIAL NOTICE! All fiber kits include our Sealed Lens assemblies, which are the KL2-SF for kits with 75 strands and under OR the KL2-PF for 100 strands and up. You only have to purchase the Lens Housings to complete the installation if you are using a fiber kit. (Refer to Page 56-57 for Sealed Lens Assembly Instructions.)

Fiber Construction Type: High Quality LK Grade Fiber Optic Strands
 Individual Fiber Thickness: .75mm
 Outer Casing Material: PVC based polymer

Part #	Description	List \$
Pool Fiber Bulk Rolls		
B150	150 Strand Fiber, By The Foot - *	\$14.55
B150-50	150 Strand Fiber, 50' Roll	\$726.62
B150-250	150 Strand Fiber, 250' Bulk Roll	\$3,638.19
B225	225 Strand Fiber, By The Foot - *	\$21.53
B225-50	225 Strand Fiber, 50' Roll	\$1,076.02
B225-250	225 Strand Fiber, 250' Bulk Roll	\$5,380.06
B300	300 Strand Fiber, By The Foot - *	\$28.48
B300-50	300 Strand Fiber, 50' Roll	\$1,424.16
B300-250	300 Strand Fiber, 250' Bulk Roll	\$7120.68

***SO - SPECIAL ORDER**

Part #	Description	List \$
Pool Fiber Kits		
B150KL2-15	150 Strand, 15' Pool Fiber Kit	\$259.44
B150KL2-25	150 Strand, 25' Pool Fiber Kit	\$411.06
B150KL2-40	150 Strand, 40' Pool Fiber Kit	\$638.51
B225KL2-14	225 Strand, 14' Pool Fiber Kit	\$358.24
B225KL2-18	225 Strand, 18' Pool Fiber Kit	\$440.53
B300KL2-14	300 Strand, 14' Pool Fiber Kit	\$462.07
B300KL2-18	300 Strand, 18' Pool Fiber Kit	\$587.37

Part #	Description	List \$
Supplemental Fiber Bulk Rolls		
B12	12 Strand Fiber, By The Foot - *	\$2.52
B25	25 Strand Fiber, By The Foot - *	\$5.07
B50	50 Strand Fiber, By The Foot - *	\$6.32
B50-125	50 Strand Fiber, 125' Roll	\$789.91
B50-250	50 Strand Fiber, 250' Bulk Roll	\$1,582.36
B50-500	50 Strand Fiber, 500' Bulk Roll	\$3,164.76
B75	75 Strand Fiber, By The Foot - *	\$7.58
B75-125	75 Strand Fiber, 125' Roll	\$949.42
B75-250	75 Strand Fiber, 250' Bulk Roll	\$1,898.85
B75-500	75 Strand Fiber, 500' Bulk Roll	\$3,797.71
B100	100 Strand Fiber, By The Foot - *	\$8.85
B100-125	100 Strand Fiber, 125' Roll	\$1,106.38
B100-250	100 Strand Fiber, 250' Bulk Roll	\$2,215.32
B100-500	100 Strand Fiber, 500' Bulk Roll	\$4,430.63

*** - SPECIAL ORDER**

Part #	Description	List \$
Supplemental Fiber Kits		
B50KL2-25	50 Strand, 25' Supplemental Fiber Kit	\$163.31
B50KL2-50	50 Strand, 50' Supplemental Fiber Kit	\$326.61
B75KL2-25	75 Strand, 25' Supplemental Fiber Kit	\$196.20
B75KL2-50	75 Strand, 50' Supplemental Fiber Kit	\$391.17
B100KL2-15	100 Strand, 15' Supplemental Fiber Kit	\$136.73
B100KL2-25	100 Strand, 25' Supplemental Fiber Kit	\$227.88
B100KL2-40	100 Strand, 40' Supplemental Fiber Kit	\$365.84
B100KL2-50	100 Strand, 50' Supplemental Fiber Kit	\$456.98



Perimeter Fiber

PERIMETER FIBER

FSSB (Frosted)

Our unique 30 strand perimeter fiber is frosted for a bold look. FSSB fits all of Fiberstars tracks, past and present. Maximum run length 200'.

FSCA (Frosted)

Has a unique profile and 30 strands. Coping available from Cardinal, Arbor, Pacific Pools, Modem pool systems and their distributors. Maximum run length 200'.

FSSB-CBL42 (Frosted)

Cabled fiber in a flat black design. We took our 42 strand cabled fiber and put it in our FSSB casing for the easiest to use cabled fiber ever. Fits all Fiberstars tracks and Stegmeier forms/tracks. Maximum run length 150'.

Part #	Description	List \$
Frosted Jacket - Flat Back		
FSCA-200	30 Strands, 200' Roll - Fits Cardinal, Arbor, Pacific Pools and Modem pool systems	\$483.02
FSSB	30 Strand, by the foot - SPECIAL ORDER	\$3.67
FSSB-125	30 Strand, 125' Roll - Fits all Fiberstars tracks	\$448.92
FSSB-150	30 Strand, 150' Roll - Fits all Fiberstars tracks	\$550.63
FSSB-200	30 Strand, 200' Roll - Fits all Fiberstars tracks	\$734.20
FSSB-500	30 Strand, 500' Roll - Fits all Fiberstars tracks	\$1,835.53
FSSB-1000	30 Strand, 1000' Roll - Fits all Fiberstars tracks	\$3,670.04
FSSB-CBL42	42 Strand Cabled, by the foot - SPECIAL ORDER	\$6.32
FSSB-CBL42-125	42 Strand Cabled, 125' Roll - Fits all Fiberstars tracks	\$791.18
FSSB-CBL42-150	42 Strand Cabled, 150' Roll - Fits all Fiberstars tracks	\$949.42
FSSB-CBL42-200	42 Strand Cabled, 200' Roll - Fits all Fiberstars tracks	\$1,265.90
FSSB-CBL42-500	42 Strand Cabled, 500' Roll - Fits all Fiberstars tracks	\$3,164.76
FSSB-CBL42-1000	42 Strand Cabled, 1000' Roll - Fits all Fiberstars tracks	\$6,329.49
Clear Jacket - ROUND		
CBL42	42 Strand Cabled, by the foot - Clear Jacket, Round -SPECIAL ORDER	\$6.32
CBL42-125	42 Strand Cabled, 125' Roll - Clear Jacket, Round	\$791.18
CBL42-150	42 Strand Cabled, 150' Roll - Clear Jacket, Round	\$949.42
CBL42-200	42 Strand Cabled, 200' Roll - Clear Jacket, Round	\$1,265.90
CBL42-500	42 Strand Cabled, 500' Roll - Clear Jacket, Round	\$3,164.76
CBL42-1000	42 Strand Cabled, 1000' Roll - Clear Jacket, Round	\$6,329.49
EdgeLite - Clear Jacket, ROUND Fiber		
(Note: For use in Fort Wayne coping.)		
EL	30 Strand, by the foot - Clear Jacket, Round -SPECIAL ORDER	\$3.31
EdgeLite Deluxe - Clear Jacket, ROUND Fiber, 50 Strands		
(Note: For use in Fort Wayne coping.)		
ELD	50 Strand, by the foot - Clear Jacket, Round -SPECIAL ORDER	\$4.75



Fiberstars 2007 Product Book

PERIMETER FIBER TRACK & ACCESSORIES



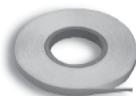
TRK-OVC50 C Track



TRK-OVW50 Track



TRK-VLW100 Track



FS-130 Tape



FS-136 Silicone



FS-120 Fitting

TRK-OVC Track

Clear track for our flat-back perimeter fiber. Made of a PVC material for durability and boxed in 50 foot rolls. Fits all FSSB style fibers.

TRK-OVW Track

White track for our flat-back perimeter fiber. Made of a PVC material for durability and boxed in 50 foot rolls. Fits all FSSB style fibers.

TRK-VLW Track

Clear track for our flat-back perimeter fiber. Snaps into most vinyl-liner bead receivers. Made of a PVC material for durability and boxed in 4 foot sections, 100 feet to a box. Fits all FSSB style fibers.

TRK-BBW Track

White track for our flat-back perimeter fiber. For use on top of gunite bond beam. Made of a PVC material for durability and boxed in 50 foot rolls. Fits all FSSB style fibers.

FS-130 Tape

Clear, double-sided tape for temporarily holding flat-backed perimeter fiber to tile. Follow with FS-136 for a permanent installation.

FS-136 Silicone

Clear silicone adhesive for permanently attaching flat-backed perimeter fiber. Oxime-based adhesives are the only silicones tested and approved by Fiberstars. Also available in cases of 24 (Part # FS-138).

FS-120 Fitting

Clear fitting to finish off the entrance/exit of perimeter fiber in the conduit. A nice touch to make your installation look professional. Fits inside 1" pipe and conduit. Use FS-136 silicone to seal.

Part #	Description	List \$
FS-120	Clear finish fitting for perimeter	\$11.43
FS-130	180' Roll clear double-sided tape	\$43.03
FS-136	10.3 oz. tube of Oxime-cure silicone	\$9.50
FS-138	Case of 24 Oxime-cure silicone	\$215.19
TRK-BBW50	50' White Bond Beam Track	\$83.57
TRK-OVC50	50' Clear Track	\$96.19
TRK-OVW50	50' White Track	\$53.18
TRK-VLW100	100' Vinyl Liner ClearTrack 4' sections	\$162.04

Fiberstars 2007 Product Book



EASY-INSTALL TRACKS FOR PERIMETER FIBER

Supplier	Application	Part Number	Perimeter Fiber	Description
Fiberstars	Gunite, Tile	TRK-OVW	FSSB, FSSB-CBL42	White, flexible track
	Gunite, Tile	TRK-OVC	FSSB, FSSB-CBL42	Clear, flexible track
	Gunite, Tile w/ Brick, Stone or Coping	TRK-BBW	FSSB, FSSB-CBL42	White, flexible track for use on top of bond beam, brick or coping mud locks it in.
	Vinyl Liner	TRK-VLW	FSSB, FSSB-CBL42	White, flexible track that inserts into most vinyl liner bead receivers
	Vinyl Liner	PW-30	PW-30	Fiber casing has a tail that inserts into most vinyl liner bead receivers. (30 strand-cabled fiber incl.)
Stegmeier	Gunite, Cantilever Deck	7FS112	FSSB, FSSB-CBL42	Capstone profile deck form, pre-formed comers available
	Gunite, Cantilever Deck	77SV112	CABL-49	Capstone profile deck form, pre-formed comers available
	Gunite, Cantilever Deck	17FS112	FSSB, FSSB-CBL42	Regular profile deck form, pre-formed comers available
	Gunite, Cantilever Deck	17SV112	CABL-49	Regular profile deck form, pre-formed comers available
	Vinyl Liner, Cantilever Deck	8CF112	FSSB, FSSB-CBL42	Capstone profile deck form, pre-formed comers available
	Vinyl Liner, Cantilever Deck	8CF152	CABL-49	Capstone profile deck form, pre-formed comers available
	Vinyl Liner, Cantilever Deck	18CF112	FSSB, FSSB-CBL42	Regular profile deck form, pre-formed comers available
	Vinyl Liner, Cantilever Deck	18CF152	CABL-49	Regular profile deck form, pre-formed comers available
	Gunite, Coping and Tile	3FOR2	FSSB, FSSB-CBL42	Attaches to top of tile with supplied adhesive, brick or coping mud locks it in.
	Gunite, Coping and Tile	3FOR6	CABL-49	Attaches to top of tile with supplied adhesive, brick or coping mud locks it in.
	Gunite Renovation	7REN4F	FSSB, FSSB-CBL42	Requires a 1/8" wide x 5/8" deep saw cut.
	Gunite Renovation	7REN6S	CABL-49	Requires a 1/8" wide x 5/8" deep saw cut.
Mortex	Gunite, New or Renovation	TAC-IT	FSSB, FSSB-CBL42	Unique clip system that attaches to cove strip
	Vinyl Liner Top Mount	Flat	FSSB, FSSB-CBL42	Liner track with integral perimeter track
	Vinyl Liner Top Mount	Round	CBL42	Liner track with integral perimeter track
Ft. Wayne	Vinyl Liner	EdgeLite	Ft. Wayne Round Fiber	Proprietary coping and fiber system
	Vinyl Liner	EdgeLite Deluxe	Ft. Wayne Round Fiber	Proprietary coping and fiber system
Cinderella	Vinyl Liner	CP-7	FSSB, FSSB-CBL42	Vinyl liner coping with integral track
	Vinyl Liner	HM-7	FSSB, FSSB-CBL42	Liner track with integral perimeter track
	Vinyl Liner	VM-7	FSSB, FSSB-CBL42	Extrusion mounts on any vertical surface
Cardinal Systems	Vinyl Liner	Coping	FSCA	Vinyl liner coping with integral track
Arbor Aluminum	Vinyl Liner	Coping	FSCA	Vinyl liner coping with integral track
Pacific Pools	Vinyl Liner	Coping	FSCA	Vinyl liner coping with integral track
Modern Pool Systems	Vinyl Liner	FORTLT-8	CABL-49	Vinyl liner tracks with integral track - round fiber
	Vinyl Liner	FWTLT-8	FSCA	Vinyl liner tracks with integral track - flat back fiber
	Vinyl Liner	FOFTLT-8	FSSB, FSSB-CBL42	Vinyl liner tracks with integral track - flat back fiber
Esther Williams	Vinyl Liner	Coping	FSSB, FSSB-CBL42	Vinyl liner coping with integral track
Fox	Vinyl Liner	Coping	FSSB, FSSB-CBL42	Vinyl liner coping with integral track
Kafko	Vinyl Liner	Coping	FSSB, FSSB-CBL42	Vinyl liner coping with integral track
Pleasure Way	Vinyl Liner	Coping	FSSB, FSSB-CBL42	Vinyl liner coping with integral track
Technican-Pacific	Vinyl Liner	Coping	FSSB, FSSB-CBL42	Vinyl liner coping with integral track
Imperial Pools	Vinyl Liner	Coping	FSSB, FSSB-CBL42	Vinyl liner coping with integral track
Sentry Pools	Vinyl Liner	Coping	FSSB, FSSB-CBL42	Vinyl liner coping with integral track
Quaker Plastics	Vinyl Liner	Coping	FSSB, FSSB-CBL42	Vinyl liner coping with integral track



Fiberstars 2007 Product Book

INSTALLING PERIMETER FIBER

NOTE: Use only 1" PVC SCH40 Pipe. Use sweep elbows or heat-bend the pipe. Any sharp angles will prevent fiber optic cable from going through the pipe!

Perimeter Fiber In/Out Top of Bond Beam

The basic concept behind perimeter lighting is to run the fiber from the illuminator around the pool, spa, or other application then back to the illuminator. This allows the fiber to be lit from both ends for maximum brightness. **Note: You may want to create an 8" loop on both ends of the fiber, prior to porting, when back at the Illuminator. This will allow you to "borrow" fiber in case you experience any shrinkage problems.**

1" PVC conduit should be run to the pool wall at the same level the fiber is to be located. The fiber can go to and from the illuminator in this same conduit.

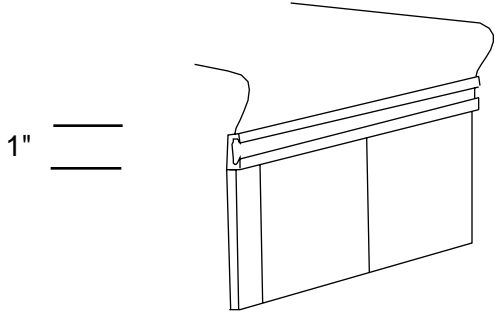
Fiberstars' FS-120 wall fitting slides into 1" PVC after the fiber is run through it, to give the entry point a finished look.

1" flexible PVC conduit may also be used to transition the fiber through elevation changes, as shown here for a raised bond beam...

...or for step transitions...

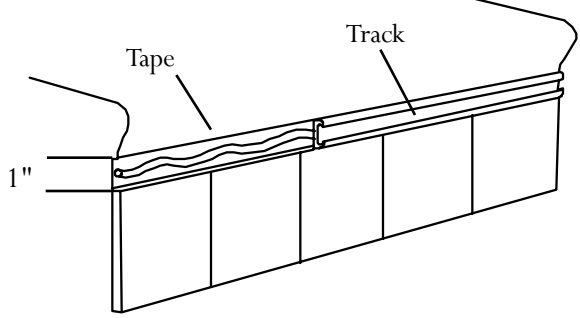
...or for raised spas.

INSTALLING PERIMETER FIBER



1" ———

Preparation is the key to a successful Fiberstars perimeter lighting installation. This shows one method where the tile is installed 1" lower than normal, allowing for TRK-OVW (white) or TRK-OVC (clear) track to be flush with the tile. The fiber is then snapped into the track.

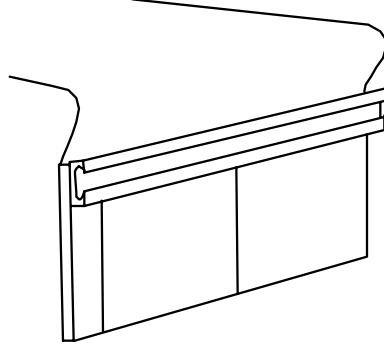


Tape

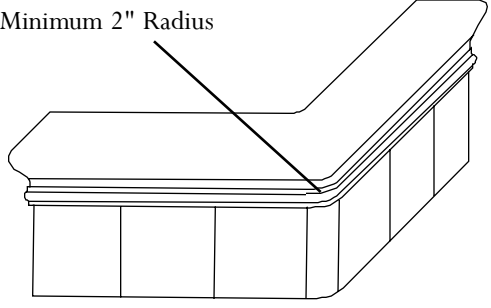
Track

1" ———

When installing TRK-OVW or TRK-OVC in a recess or when dropping the tile 1", use double sided tape and put the track in place. Finish the installation by running a bead of silicone on the top and bottom of the track.

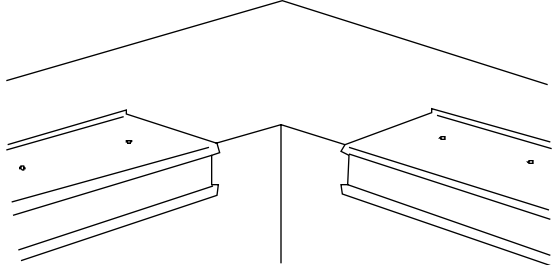


This is another method, using TRK-OVW or TRK-OVC directly on top of the tile. FS-130 double-sided tape is put on first temporarily, then the track is pressed in place. FS-136 silicone is then used on the top and bottom of the track to finish the installation. The fiber is then snapped in place.

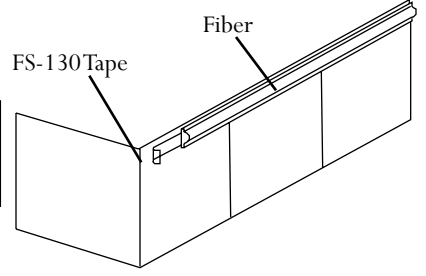


Minimum 2" Radius

When preparing for perimeter lighting, a 2" radius should be maintained on all corners. This will allow the fiber to lay flat. If using track, stop the track 1" from the beginning of a corner to allow the fiber tubing to lay flat.



TRK-BBW is a track for use on top of the bond beam (after brown-out). The track is nailed directly to the bond beam, and brick or coping is installed on top. The fiber is then snapped into the track. Note that the track is stopped short of the corners to allow the fiber to make a radius and lay flat. Silicone should be used to hold the fiber in the corner.



FS-130 Tape

Fiber

FSSB & FSSB-CABL42

Using FSSB fiber with no track is the simplest way to install perimeter fiber. FS-130 double-sided tape is applied to the top of the tile, then the fiber is pressed in place temporarily. Neutral-cure silicone is then used on the top and bottom of the fiber to hold it permanently. You should use about one tube for every 30 linear feet. Oxime-based, neutral-cure silicone is the only approved adhesive for Fiberstars fiber.